



# NOTCHING & DRILLING

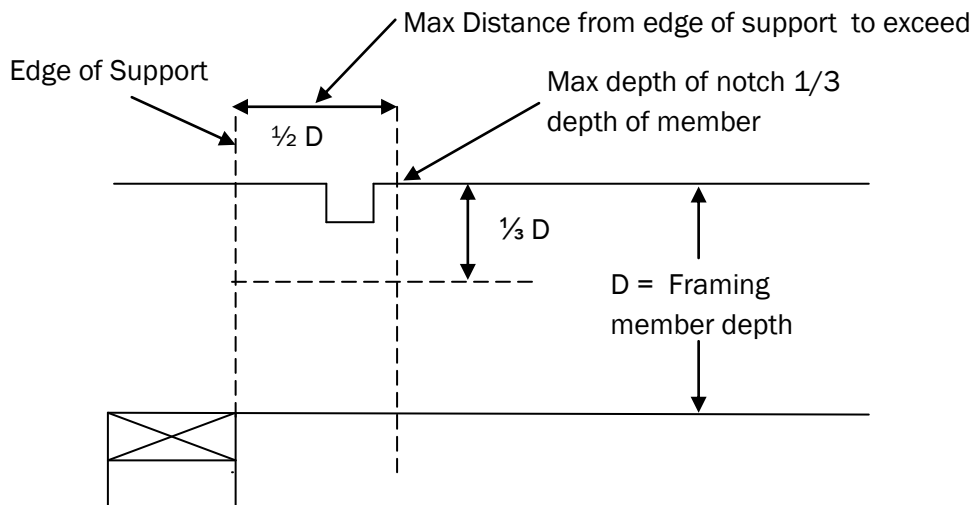
## ONTARIO BUILDING CODE

The drilling and notching of floor members to allow the passage of piping, ducts and other services, is affected by provisions of the Code. Care must be taken not to cut and notch wood joists and beams in a manner which reduces the strength and load carrying ability of the structural member.

## NOTCHING

Notches in roof, ceiling and floor framing are allowed in the top of the member within  $\frac{1}{2}$  the depth of the joist size from the edge of bearing.

Notches are not permitted to be deeper than  $\frac{1}{3}$  the depth of the framing member unless the framing member has been increased in size by the size of the notch.

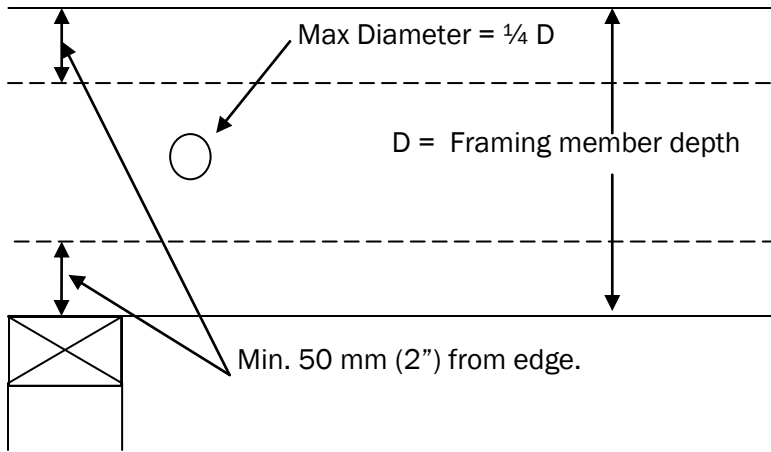


Member Size	Max. Distance from supported edge	Maximum Depth of notch
38 x 89 mm (2x4")	44 mm (1-3/4")	30 mm (1-1/8")
38x140 mm (2 x 6")	70 mm (2-3/4")	46 mm (1-3/4")
38x184 (2x8")	92 mm (3-5/8")	61 mm (2-3/8")
38x235 mm (2x10")	117 mm (4-5/8")	78 mm (3")
38x286 (2x12")	143 mm (5-5/8")	95 mm (3-3/4")

## DRILLING

Holes drilled through floor, ceiling or roof framing are not to exceed  $\frac{1}{4}$  the depth of the member. The holes are not to be located within 50 mm (2 in.) from the edges unless the framing member size has been increased by the size of the hole.

Holes are required to be located at least the size of the hole width apart.



Member Size	Maximum hole
38 x 89 (2 x 4")	Not permitted
38x140 mm (2x6")	35 mm (1-3/8")
38x184 mm (2x8")	46 mm (1-3/4")
38x235 mm (2x10")	58 mm (2-1/4")
38x286 mm (2x12")	71 mm (2-3/4")

